

For UK enquiries only

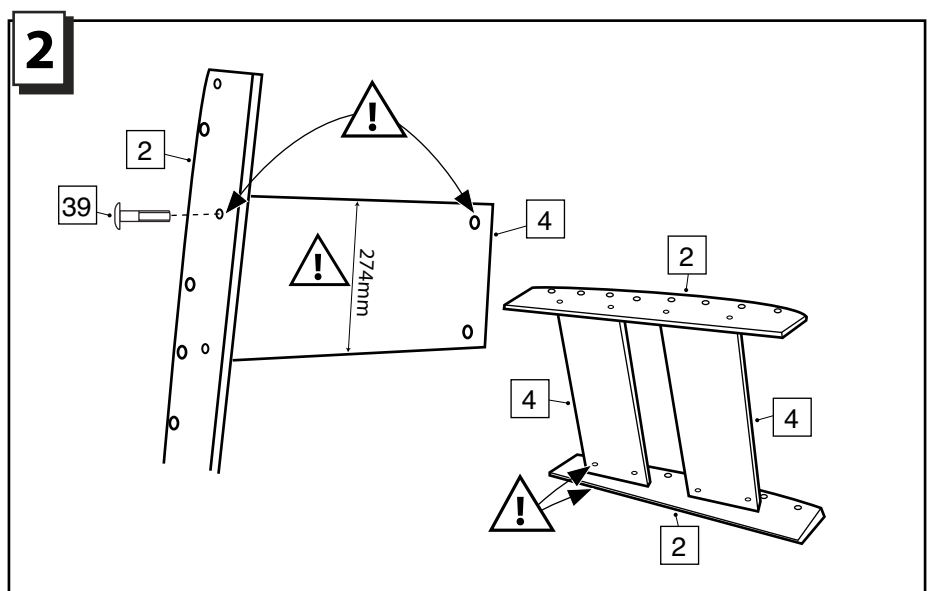
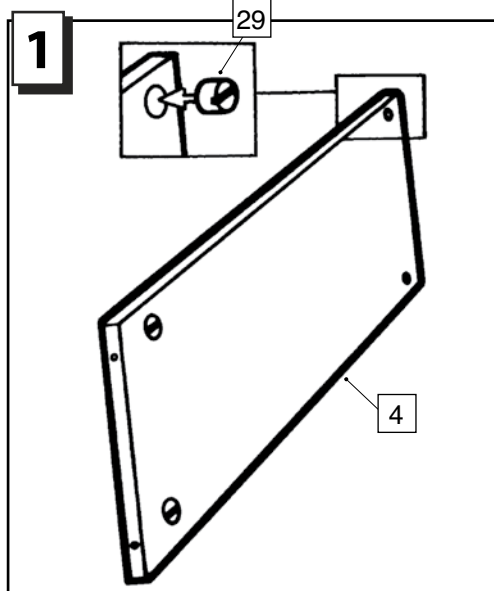
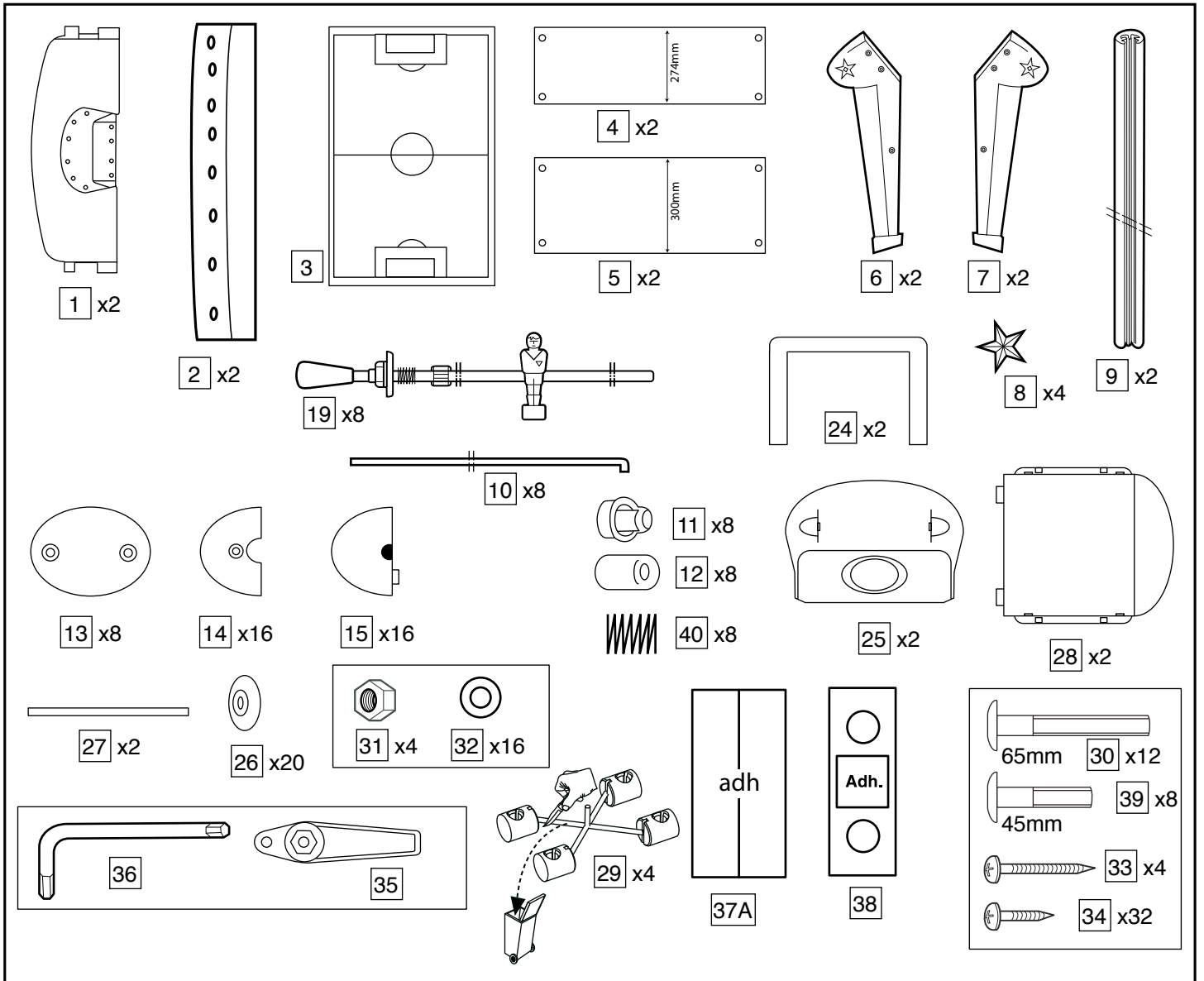
If you need any assistance, help or spare parts for this product, please contact the customer care manager.

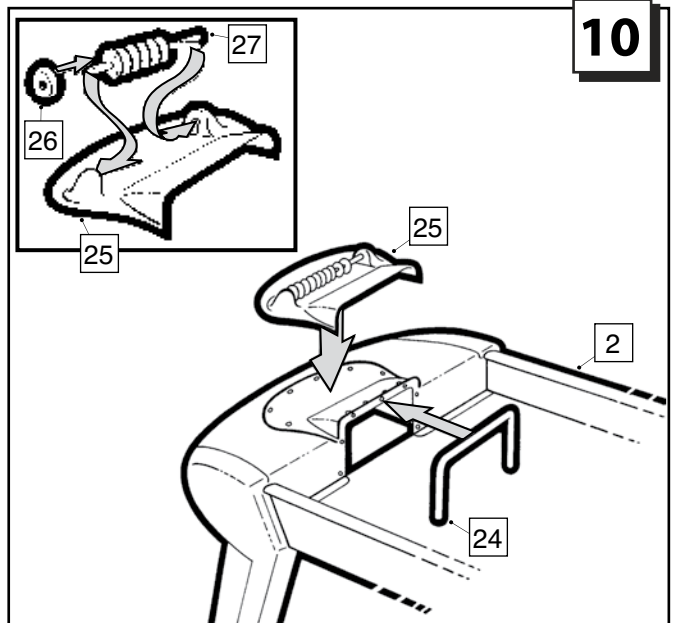
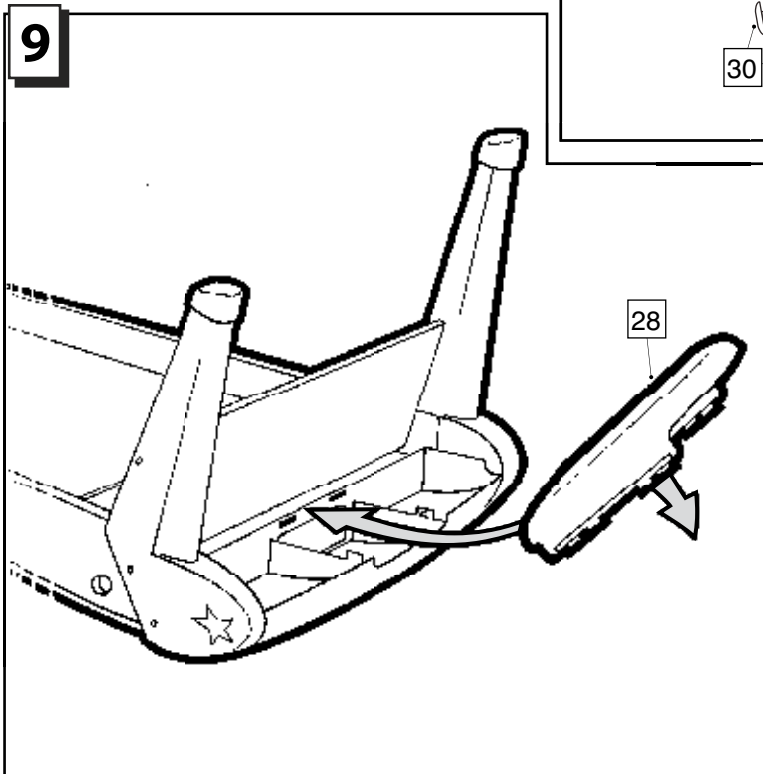
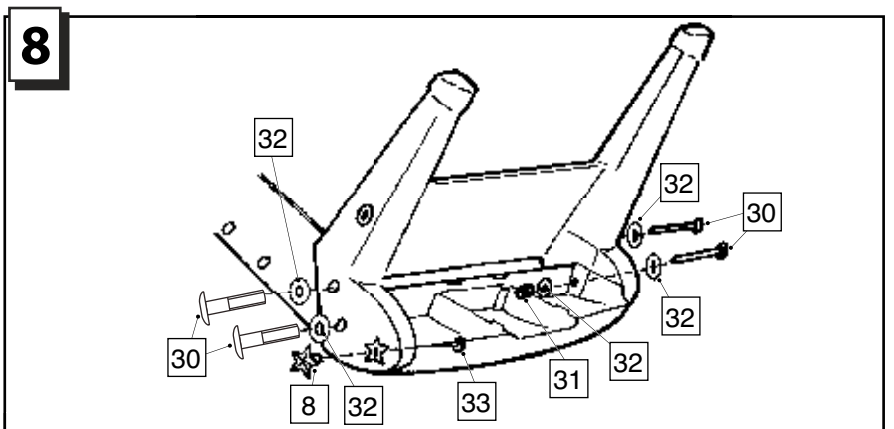
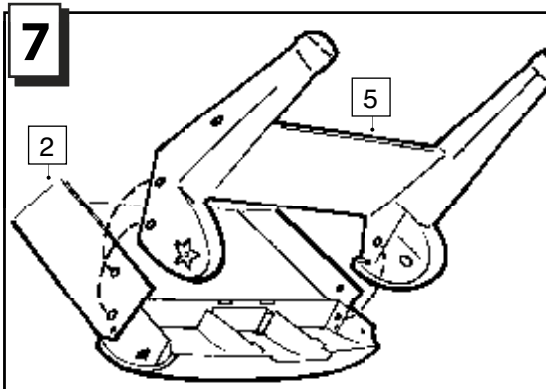
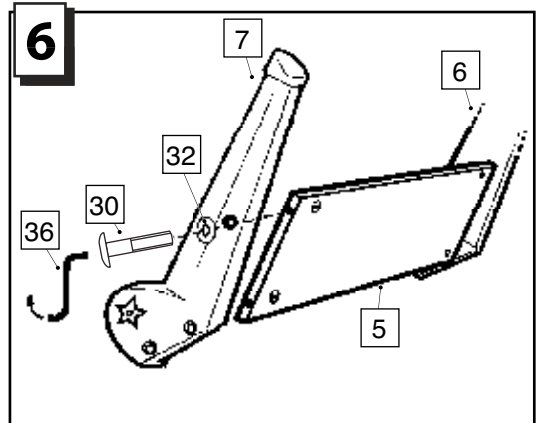
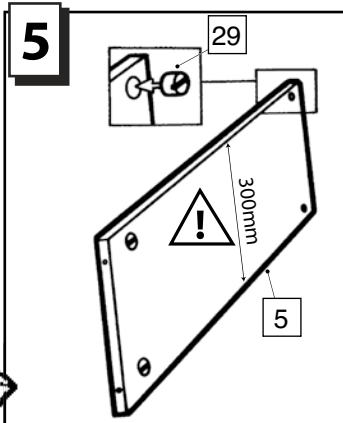
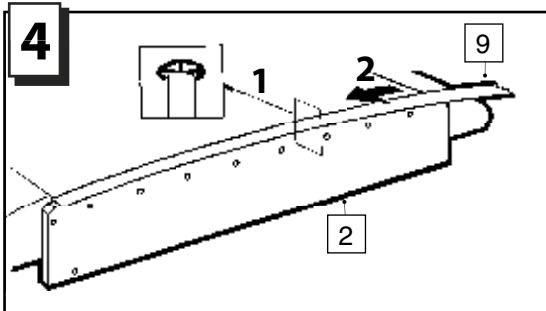
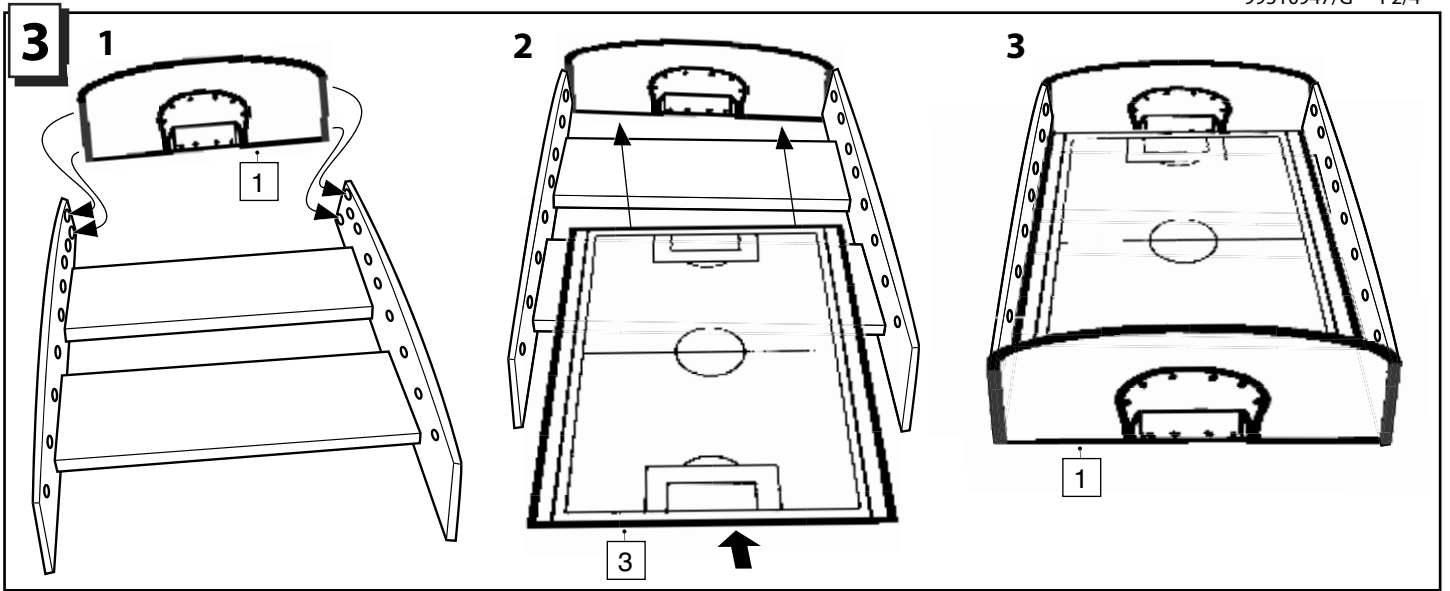
SIMBA SMOBY TOYS UK Ltd
Broomfield House
Bolling Road
BRADFORD BD4 7BG

tél : 01274765030
fax : 01274765031
care@smobytoys.co.uk

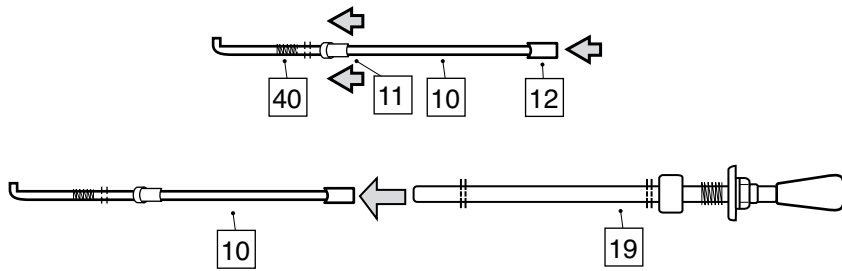
Smoby

99510947/G P1/4

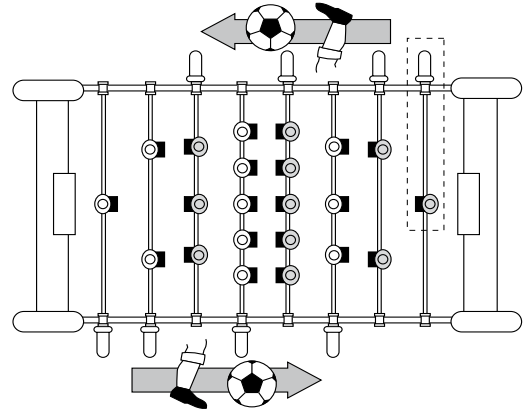
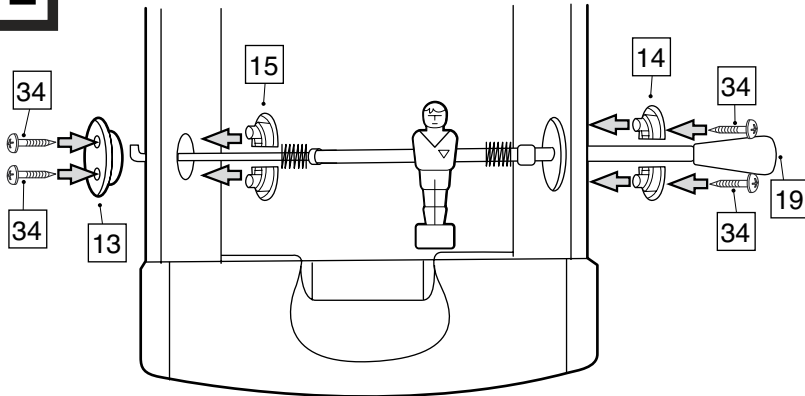




11



12



Assistance consommateurs à nous retourner en cas de problèmes / Consumer assistance: for any problems, return this card /
 Verbraucher-Info: Für weitere Auskünfte, senden Sie diese Karte bitte an / Klantenservice: voor inlichtingen, deze kaart naar ons terugsturen /
 Atención al consumidor: para cualquier información, enviar esta tarjeta. / Assistenza per il consumatore: per informazioni, rispedire la presente cartolina.

NOM / NAME: **Réf:** **99510947/G**

PRENOM / SURNAME: **Colors:**

RUE / STREET:

VILLE / TOWN:

CODE POSTAL / POSTAL CODE:

PAYS / COUNTRY:

N° TEL:

Description du motif de la réclamation / Cause for complaint / Grund der Beanstandung Omschrijving van de reden van de klacht / Detalle el motivo de su reclamación / Descizione del motivo del reclamo:

Manquant / Missing / Fehlende Teile / Tekort / Faltante / Mancante.

Cassé / Broken / Gebrochen / Gebroken / Rotura / Rotto.

Autre / Other reason / Andere / Andere reden / Otra razón / Altro motivo

Description ou numéro de la pièce demandée / Description or number of part requested / Beschreibung oder nummer des gewünschten Teils / Omschrijving of nummer van het gevraagde onderdeel / Descrizione o número de la pieza solicitada / Descizione o numero del pezzo richiesto:

.....

.....

.....

N°: Qté:

N°: Qté:

N°: Qté:

N°: Qté:

N°: Qté:

N°: Qté:

N°: Qté:

Smoby

SMOBY TOYS S.A.S.
Service après ventes, BP 7
39170 Lavans-les-St-Claude, France.
www.smoby.com

SMOBY TOYS GmbH
Werkstraße 1
D-90765 Fürth, Germany.

SMOBY TOYS ESPAÑA, S.L.
Polígono Industrial Bassa, C. Menorca
46190 Ribarroja Del Turia
Valencia, Spain.

SMOBY TOYS ITALIA SpA
Via 1° Maggio, 23
20096 Piombino (MI), Italy.

SMOBY TOYS UK Ltd
Broomfield House - Bolling Road
BRADFORD BD4 7BG, UK.

SMOBY TOYS POLSKA Sp. z o.o.
ul. 17-go Stycznia 56
02-146 Warszawa, Poland.

SMOBY TOYS HUNGÁRIA Kft.
Vendel Park, Budai u. 4.
2051 Batorföldy, Hungary.

SMOBY TOYS CZ, spol. s r.o.
Lidická 481
273 51 Uhohřet, Czech Republic.

SIMBA/DICKIE SWITZERLAND AG
Zürcherstrasse 505,
9015 St. Gallen, Switzerland.

SIMBA TOYS AUSTRJA
Handels GmbH & Co KG
Jochen-Rindt-Str. 25
1230 Wien, Austria.

SIMBA OYJUNCAK PAZ. Ltd. Şti.
İçerenköy Mahallesi - Huzur Hoca
Caddesi
Piramit Grup İş Merkezi No. 57 Kat 2
34752 Ataşehir / İstanbul / Türkiye.

SIMBA TOYS BULGARIA
Симба Тойс България ЕООД,
гр. София, Ступенчатият град,
ул. „Б. Стефанов“ 16

SIMBA/DICKIE NORDIC AS
Haugsvien 293
3178 Våle, Norway.

SIMBA DICKIE FINLAND OY
Sinika/Rontie 3 B
02630 Espoo, Finland.

N.V. SIMBA-DICKIE BELGIUM S.A.
Woeskroonssteenweg 38X,
8511 Aalbeke, Belgium.

SC SIMBA TOYS ROMANIA S.R.L.
Str. Dura Nr. 3
430069, Baia Mare, Maramures,
Romania.

SIMBA TOYS RUSSIA
строение 7, владение "Триколор"
mcr. Vostryakovo, Domodedovo,
Moscow region - Russia - zip
142072

SIMBA TOYS UKRAINE Ltd
42 Chervonotkatska street,
Kyiv 02660, Ukraine.

SIMBA TOYS INDIA Pvt Ltd
903, Meadows, Sahar Plaza Complex
Andheri-Kurla Road, Andheri (East),
Mumbai 400059, India.

SMOBY TOYS HONG KONG Ltd
Unit 259-260,
2/F Tsim Sha Tsui Centre,
66 Mody Road, Tsim Sha Tsui East,
Kowloon, Hong Kong.

SIMBA TOYS MIDDLE EAST
Jebel Ali - FD 6
P.O. Box 61106, Dubai, U.A.E.

SMOBY CHILE S.A
Avenida Providencia 1760,
Oficina 1701
Santiago, Chile.

SIMBA IBERIA
Avenida de la Industria 49
28108 Alcobendas,
Madrid, España.

