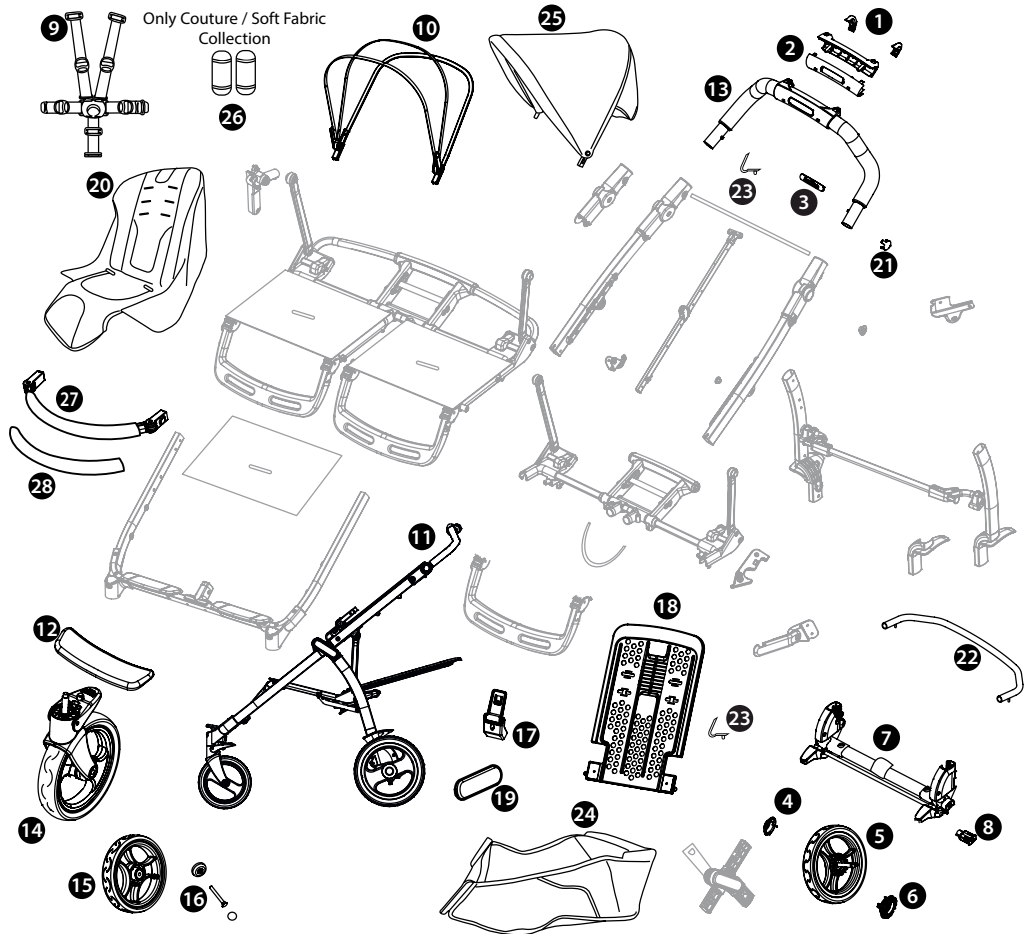


# Book for two



- |    |                                |    |                         |    |                          |
|----|--------------------------------|----|-------------------------|----|--------------------------|
| 1  | SPST7372DN<br>SPST7372SN       | 13 | ARPI0743N               | 25 | BCAPBWD00-<br>BCAPBWS00- |
| 2  | SPST7302N<br>SPST7302KN        | 14 | SAPI7304JN              | 26 | BSPPBW00-                |
| 3  | SPST7357NPEG                   | 15 | SAPI7807NN              | 27 | SAPI7777N                |
| 4  | SPST6232KN                     | 16 | MMST0087N<br>SPST7303N  | 28 | CFRPBW00--NER            |
| 5  | SAPI7255JN                     |    | MMRA0007<br>MMCA0007L30 |    |                          |
| 6  | SPST7255N                      | 17 | ARPI0744N               |    |                          |
| 7  | ARPI0742L31NGR                 | 18 | SPST7800N               |    |                          |
| 8  | SPST7309N                      | 19 | SPST7603XNPEG           |    |                          |
| 9  | MUCI5P22N                      | 20 | BSAPBW00-               |    |                          |
| 10 | ASPI0190DL50N<br>ASPI0190SL50N | 21 | SPST7301N               |    |                          |
| 11 | ITP0500NGPL31                  | 22 | ASPI0189L31             |    |                          |
| 12 | SPST7659N                      | 23 | MMM00025D               |    |                          |
|    |                                | 24 | ERSHBW00-SH01RT01       |    |                          |