

little tikes®

628566M
484049

XIM628566-1 - 11/12

www.littletikes.com
www.littletikes.co.uk
www.littletikes.fr
www.littletikes.es
www.littletikes.nl
www.littletikes.pl

ENGLISH

ANCHORS AWAY PIRATE SHIP

Ages: 2 - 6 years
Please save sales receipt for proof of purchase.

WARNING:
ADULT ASSEMBLY REQUIRED.

- Keep these instructions for future reference.
- Prior to assembly, this package contains small parts: hardware which is a choking hazard and may contain sharp edges and sharp points. Keep away from children until assembled.
- Adult supervision required. Do not leave children unattended.
- This product is intended for outdoor domestic family use only.
- This product is intended for use by children ages 2-6 years.
- Use this product on a firm, level surface and avoid using near swimming pools, on or near steps, hills or inclines.
- Do not allow children to sit, stand play or climb on the top of surface. Failure to do so may cause the product to become unstable.
- Intended for use with the supplied accessories only.
- Never fill with anything except clean tap water. Use of other liquids may be harmful or damage the unit. Never fill with sand or dirt.
- Do not store or leave water in product when not in use.
- Thoroughly wash accessories before contact with food or beverage.
- Protect your eyes. Always wear safety glasses when using power tools.
- Do not attempt to modify or repair this product. For help contact Little Tikes Consumer Service.

MAINTENANCE

- Rinse product with clean tap water and allow to dry.
- When temperatures fall below 0°F/-18°C, outdoor use of this product is not recommended. In extreme cold, plastic materials lose resilience and may become brittle and crack upon impact. Store product in a warmer, protected place.

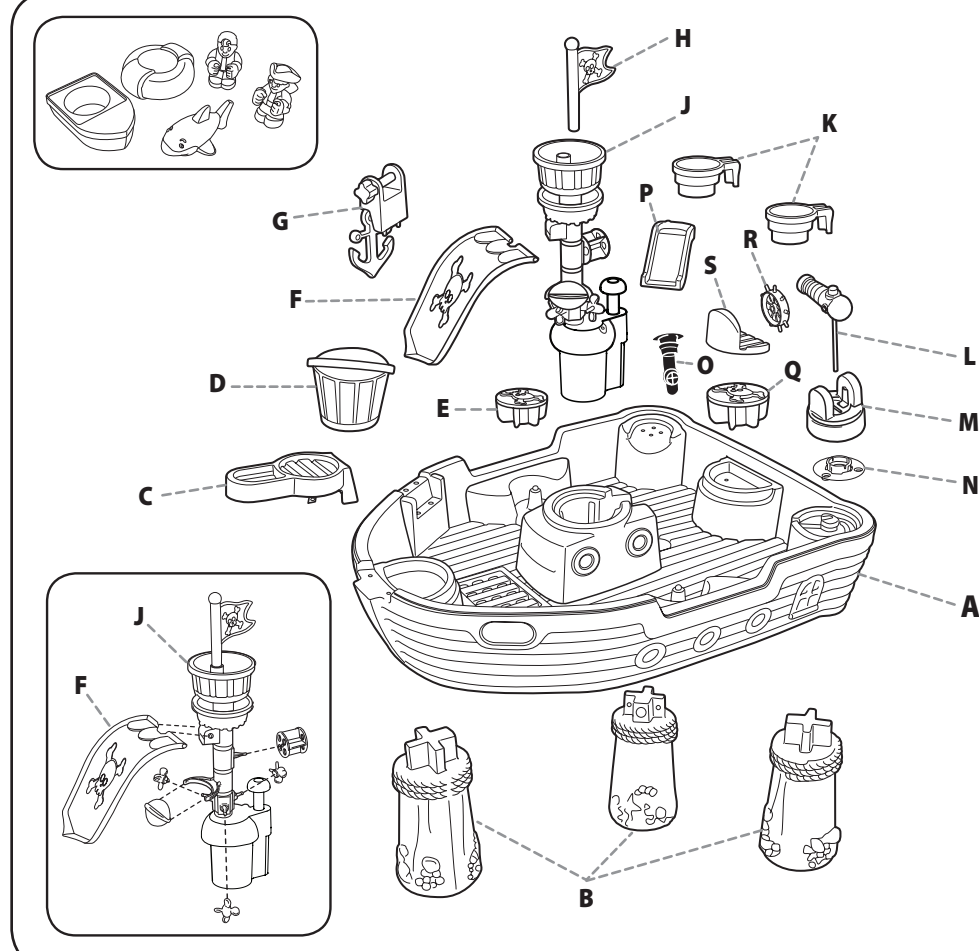
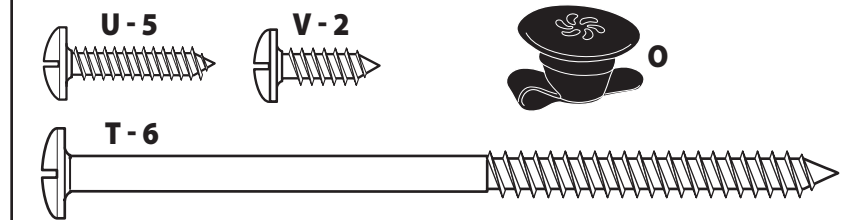
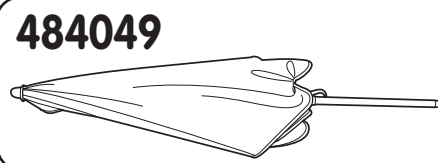
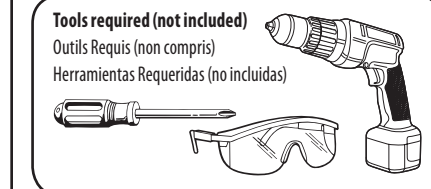
DISPOSAL

- Disassemble and dispose of equipment in such a manner that no hazardous conditions such as, but not limited to, small parts and sharp edges exist at the time equipment is discarded.

CONSUMER SERVICE TOLL-FREE NUMBER:

United States: www.littletikes.com
1-800-321-0183 Monday - Friday
The Little Tikes Company
2180 Barlow Road
Hudson, OH 44236
E-mail: littletikes.cares@littletikescare.com

Adult assembly required / Le montage devra être effectué par un adulte / Debe ser armado por un adulto



United Kingdom: www.littletikes.co.uk

Little Tikes
MGA Entertainment (UK) Ltd
50 Presley Way
Crownhill
Milton Keynes MK8 0ES
Bucks, UK
E-mail: Info.LittleTikes@mgae.com

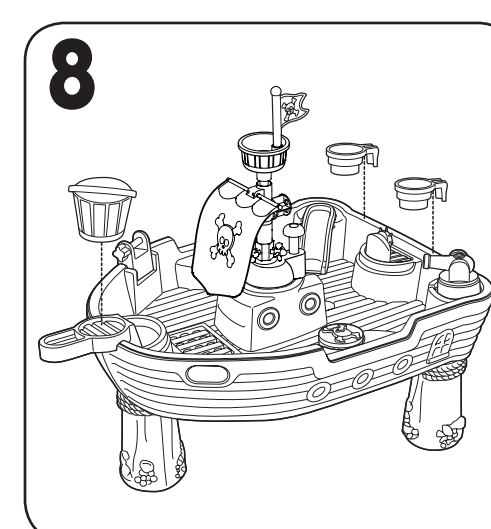
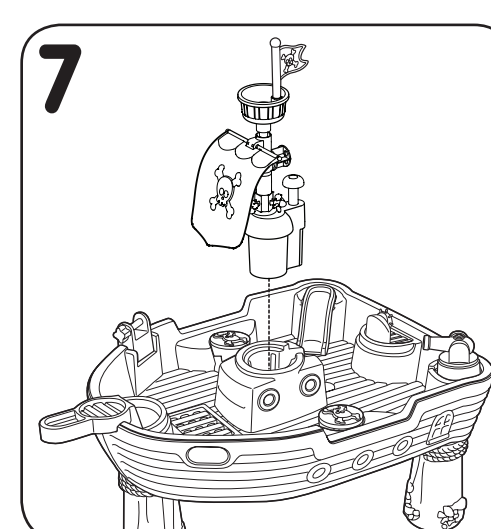
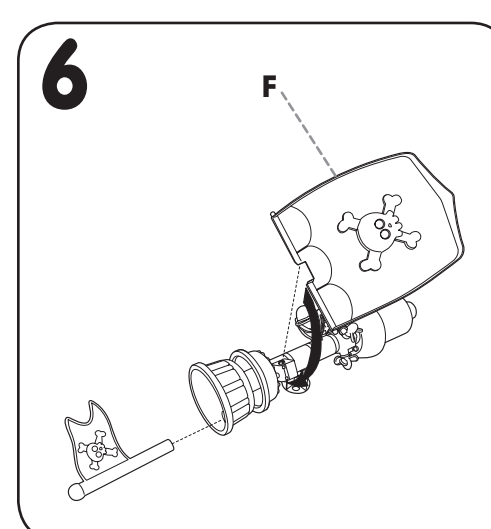
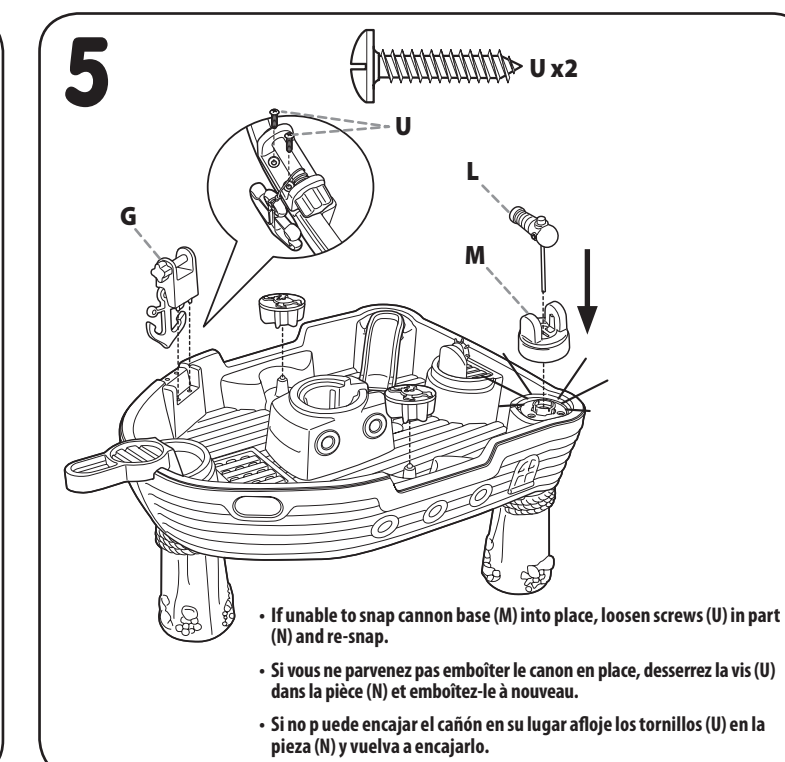
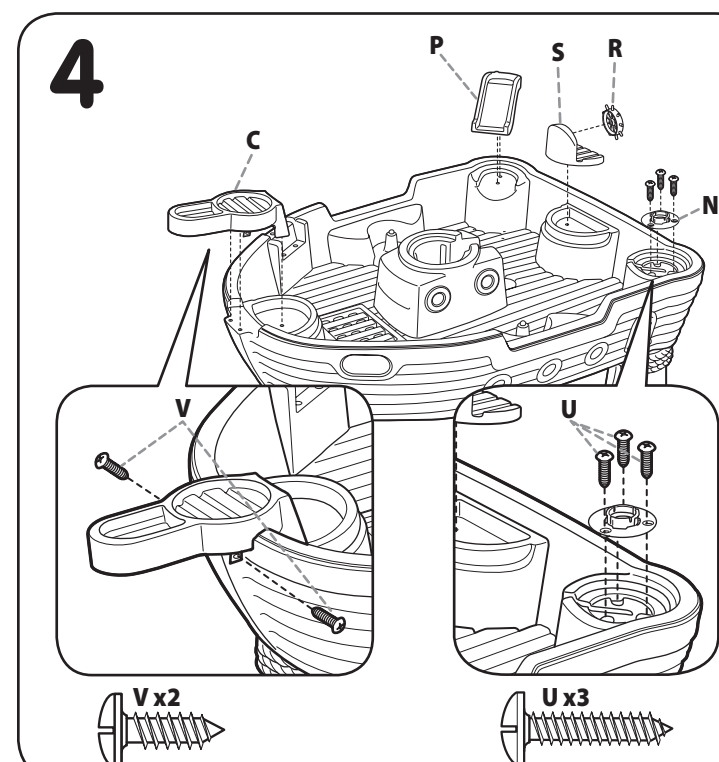
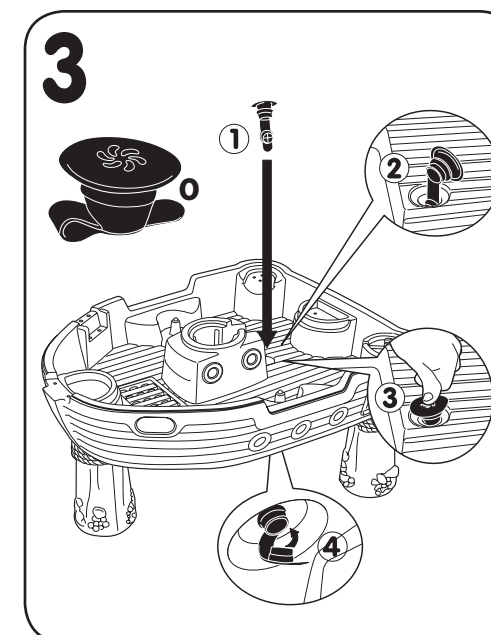
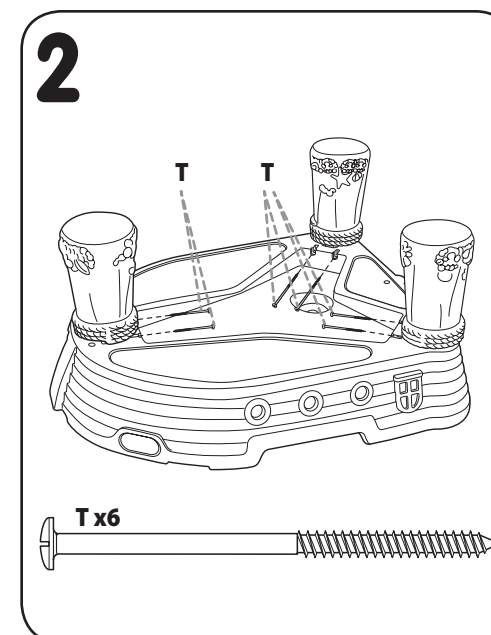
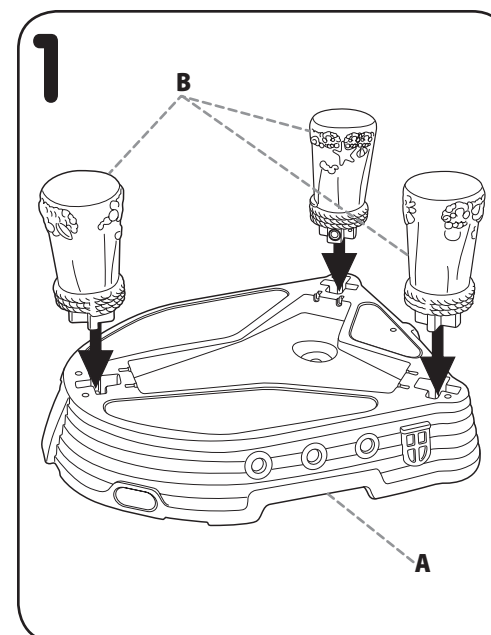


Printed in U.S.A. D.R. ©2012 The Little Tikes Company
©The Little Tikes Company, an MGA Entertainment company. LITTLETIKES® is a trademark of Little Tikes in the U.S. and other countries. All logos, names, characters, likenesses, images, slogans, and packaging appearance are the property of Little Tikes. Please keep this address and packaging for reference since it contains important information. Contents, including specifications and colors, may vary from photos depicted on package. Instructions included. Please remove all packaging including tags, ties & tacking stitches before giving this product to a child.

LIMITED WARRANTY

The Little Tikes Company makes fun, high quality toys. We warrant to the original purchaser that this product is free of defects in materials or workmanship for one year * from the date of purchase (dated

little tikes® Visit our website at
www.littletikes.com
to register your product online!



sales receipt is required for proof of purchase). At the sole election of The Little Tikes Company, the only remedies available under this warranty will be either replacement of the defective part of the product or refund of the purchase price of the product. This warranty is valid only if the product has been assembled and maintained per the instructions. This warranty does not cover abuse, accident, cosmetic issues such as fading or scratches from normal wear, or any other cause not arising from defects in material and workmanship. *The warranty period is three (3) months for daycare or commercial purchases.
U.S.A and Canada: For warranty service or replacement part information, please visit our website at www.littletikes.com, call 1-800-321-0183 or write to: Consumer Service, The Little Tikes Company, 2180 Barlow Road, Hudson OH 44236, U.S.A. Some replacement parts may be available for purchase after warranty expires—contact us for details.
Outside U.S.A and Canada: Contact place of purchase for warranty service. This warranty gives you specific legal rights, and you may also have other rights, which vary from country/state to country/state. Some countries/states do not allow the exclusion or limitation of incidental or consequential damages, so the above limitation or exclusion may not apply to you.

